



FDX310 Bus Powered USB Modem Self-Install Quick Installation Guide



Fujitsu Telecommunications Europe Limited (FTEL) has taken every care that the contents of this document are correct at the time of publication. If you find any errors, or wish to make any other comments on the document, please write to us at the address shown below.

The contents of this document are protected under copyright and contain commercially and/or technically confidential information. The content of the document must not be used other than for the purpose for which it was provided nor may it be disclosed or copied (by authorised recipient or otherwise) without the prior written consent of an authorised officer of Fujitsu Telecommunications Europe Limited.

All product or service names mentioned herein are trademarks of their respective owners.
© Fujitsu Telecommunications Europe Limited 2002.

Fujitsu Telecommunications Europe Limited

Solihull Parkway, Birmingham Business Park, BIRMINGHAM. B37 7YU United Kingdom
<http://www.ftel.co.uk/products/drivers.html>

Welcome!

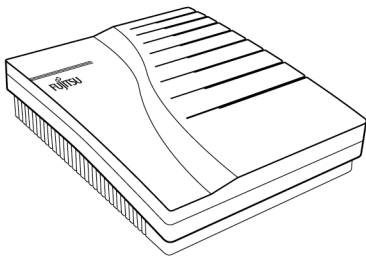
Thankyou for choosing the **Fujitsu FDX310 USB modem** for your ADSL service connection. This document introduces you to the contents of your self-install package and provides instructions for getting started with ADSL.

The full user manual, contained on the CD-ROM should be used to answer any detailed questions you may have. In the event of difficulty connecting to the ADSL service, please contact your Internet Service Provider:

IMPORTANT: Please follow the instructions carefully. Software should be installed before your modem is connected and microfilters inserted before use.

Section 1 - Preparation

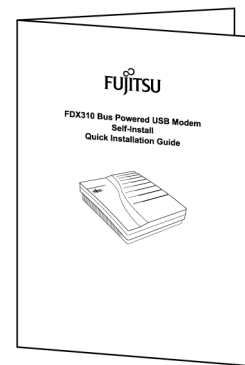
1. Ensure that you have your ADSL account details from your Internet Service Provider
2. Please ensure that a telephone socket is located within 2 metres of your computer and that this is connected to a telephony service
3. Check the contents of your self-install Package:



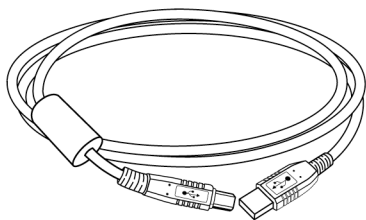
FDX310 USB Modem



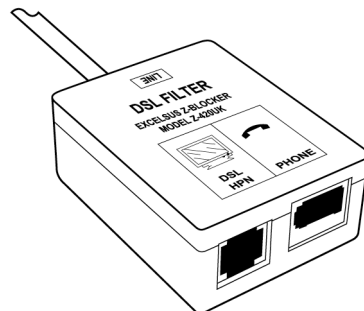
CD



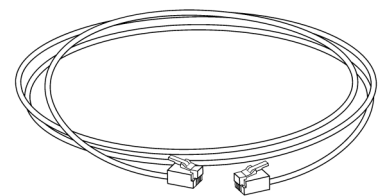
Self-Install Quick Start Guide



USB Cable



Microfilter



DSL Cable



Section 2 – Install the Software

1. Place the CDROM into your computer CD Drive

For WINDOWS 98, ME, 2000 and XP Users:

1. To install the software follow the on-screen instructions. Each window contains either an **[Accept]**, **[Yes]**, **[Next >]** or **[Finish]** button, click on the appropriate button to advance to the next screen.

Note: If you are using Windows XP, a window may appear warning that the installation software has not passed Windows Logo testing. It is not necessary; the FDX310 ADSL USB Modem software has been tested with Windows XP. Click **[Continue Anyway]** to allow the installation to continue.

2. Go to Section 3 and connect your modem now.

For Macintosh OS8 and OS9 Users

1. Click on the **Fujitsu MAC** icon and then click the **Fujitsu ADSL Installer**
2. The Fujitsu **Welcome** Screen appears. Click **[Continue]**
3. The **Select Destination** Screen appears. Ensure that **Macintosh HD** is selected. Click **[Select]**
4. On the next screen ensure that **Recommended Installation** is selected. Click **[Start]**
5. When installation has finished you are given the option to install other software. Click **[Quit]** to leave the program.
6. Create a dial-up connection

The USB cable must NOT be connected

- From your desktop click on the **Apple** Icon
- Select the **Control Panels** folder
- Scroll down and open the **Fujitsu ADSL Setup** Folder

7. Press **<Ctrl 1>** on your keyboard to view the additional tab options, then select the **Configuration** tab.

8. Verify the following configuration:

Modulation:	Multimode
VPI:	0
VCI	38
Encapsulation mode	RFC2364 VC Multiplexed PPP
ATM Mode	PPP over ATM

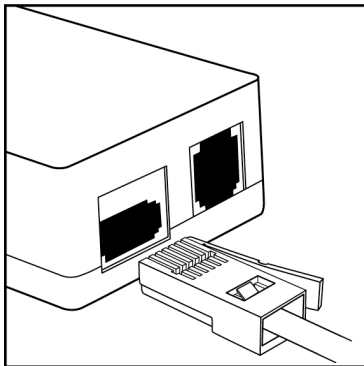
Click **[Apply]**

9. Go to Section 3 and connect your modem now

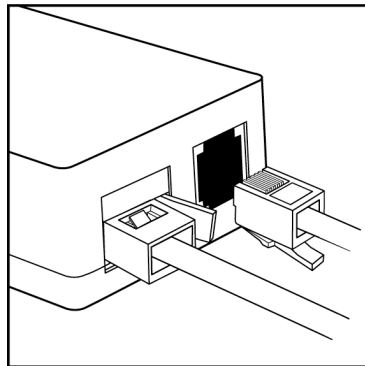
Section 3 – Connect your Modem

The microfilters provided within your self-install package prevent interference between ADSL and your telephone service. It is essential that existing telephony equipment (e.g. your telephone handset, fax, answering machine, set top box) are connected via the microfilters before use of ADSL.

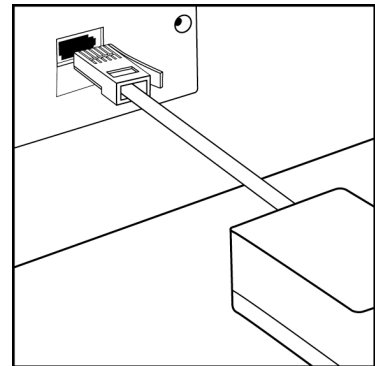
1. Connect your local telephone handset (if applicable) and DSL line cable to the microfilter (*fig. 1a & 1b*), and insert the microfilter into the telephone socket (*fig. 1c*)
2. Connect the opposite end of the DSL line cable to your FDX310 modem, using the port labelled WAN (*fig. 2*)
3. Connect your USB cable to your FDX310 modem, using the port labelled USB (*fig. 3*)
4. Connect the opposite end of the USB Cable to your computer (*fig. 4*). Macintosh users check that USB connector used is located on the computer itself and not on the keyboard
5. The computer detects that the modem is connected. Restart your computer if this does not happen automatically



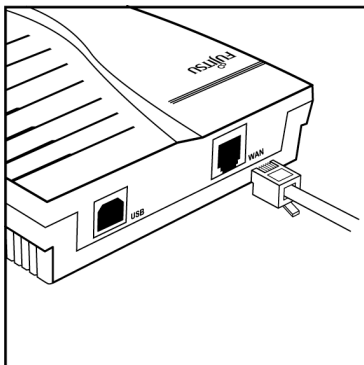
1a



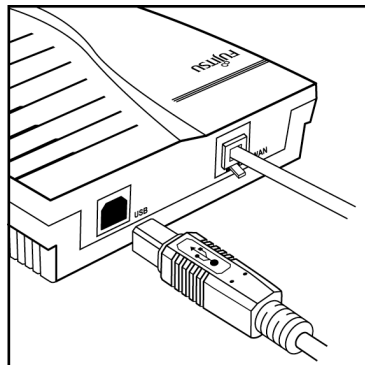
1b



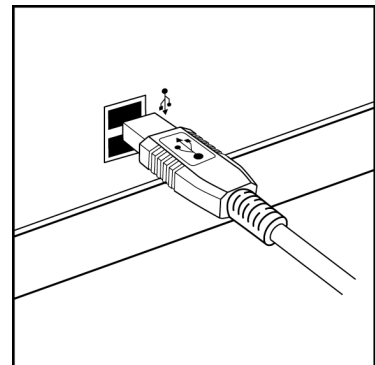
1c



2



3



4

Section 4 – Create a Dial-up Connection

For WINDOWS 98, 2000 and ME:

1. Click on the **My Computer** icon and follow:
 - **Dial-Up Networking (98/ME)** or **Network and Dial-up Connections (2000)**
2. Right click on **ADSL Dial-Up PPP Connection**
3. Click [**Connect**]
(You may have to enter the user name and password provided by your Internet Service Provider)

Do not change the settings in the phone number box

For WINDOWS XP users:

1. Click on the **Control Panel** icon and follow:
 - **Network and Interface Connections**
 - **Network Connections**
 - **Fujitsu Dial-up PPP Connection**
2. Enter the user name and password provided by your Internet Service Provider
3. Click [**Dial**]

For Macintosh OS8 and OS9 Users

1. From your desktop, click the **Apple menu icon**, select the **Control Panels** folder. Open the "**TCP/IP (network)**" dialog and select **PPP** from the **Connect via:** drop-down menu.
2. In the **Setup** section, from the **Configure** drop down menu select **Using PPP Server**
3. Close this window and Save
4. From the **Control Panel** open the **Modem** folder and select **ADSL Modem** from the **Connect Via** drop down menu

5. Check the following settings:

Modem	ADSL USB Modem
Sound	On
Dialling	Tone
Ignore dial tone	✓

6. Close this window and save

7. From the **Control Panels** folder click on **Remote Access**:

- Enter the **Name** and **Password** provided by your ISP
- The **Number** field is ignored but to continue with the connection a value must be entered (e.g. 1111).
- Click **Options** to verify the following configuration:

Use Protocol	PPP
Allow Error correction and compression in modem	✓
Use TCP header compression.	✓

8. Click **[OK]** to return top the **Remote Access** Screen

9. Click **[Connect]** to connect to your ISP

Section 5 - SURF!

1. Use a web browser to verify the connection. You can now use the applications requiring fast Internet access

Section 6 - To Reconnect to the Internet

1. Simply Click on the **[Connect]** button function described in your dial-up connection box. There is no need to re-enter your user name and password if you have checked the **Save** password box.

PUBLICATION

FDX310 BUS Powered USB Modem Installation Guide

©2002 Fujitsu Telecommunications Europe Limited.

Product FDX310 USB ADSL Modem

3XAX-00805AAU